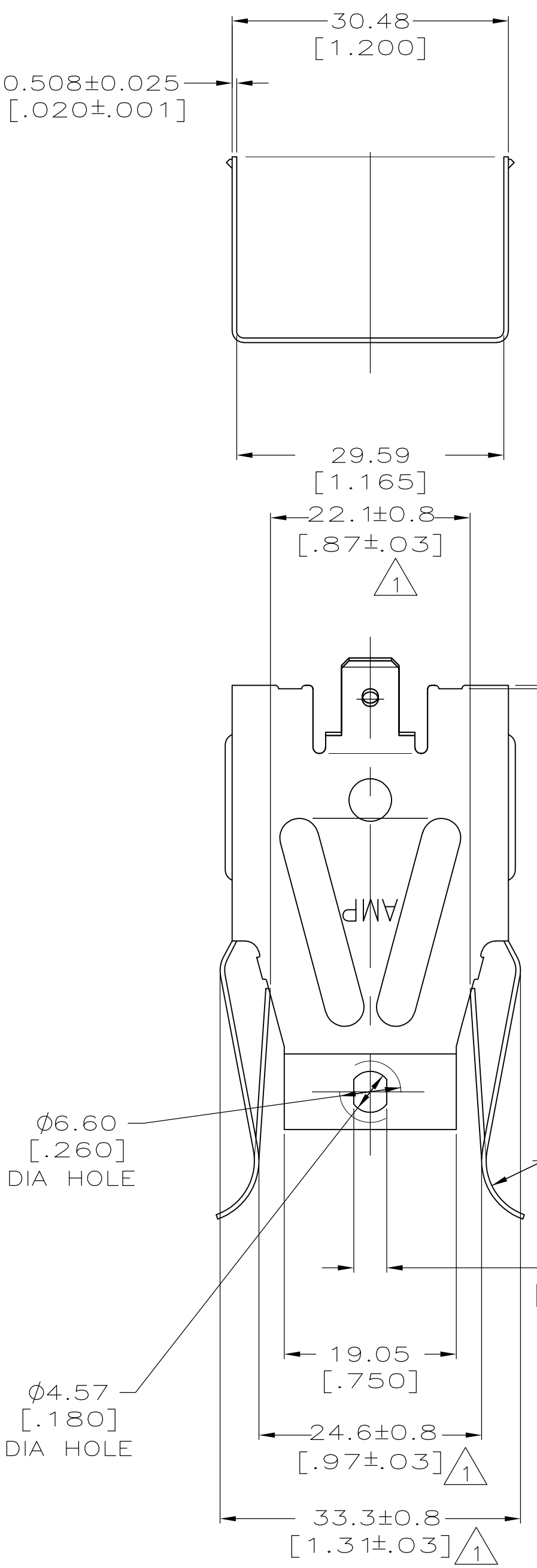
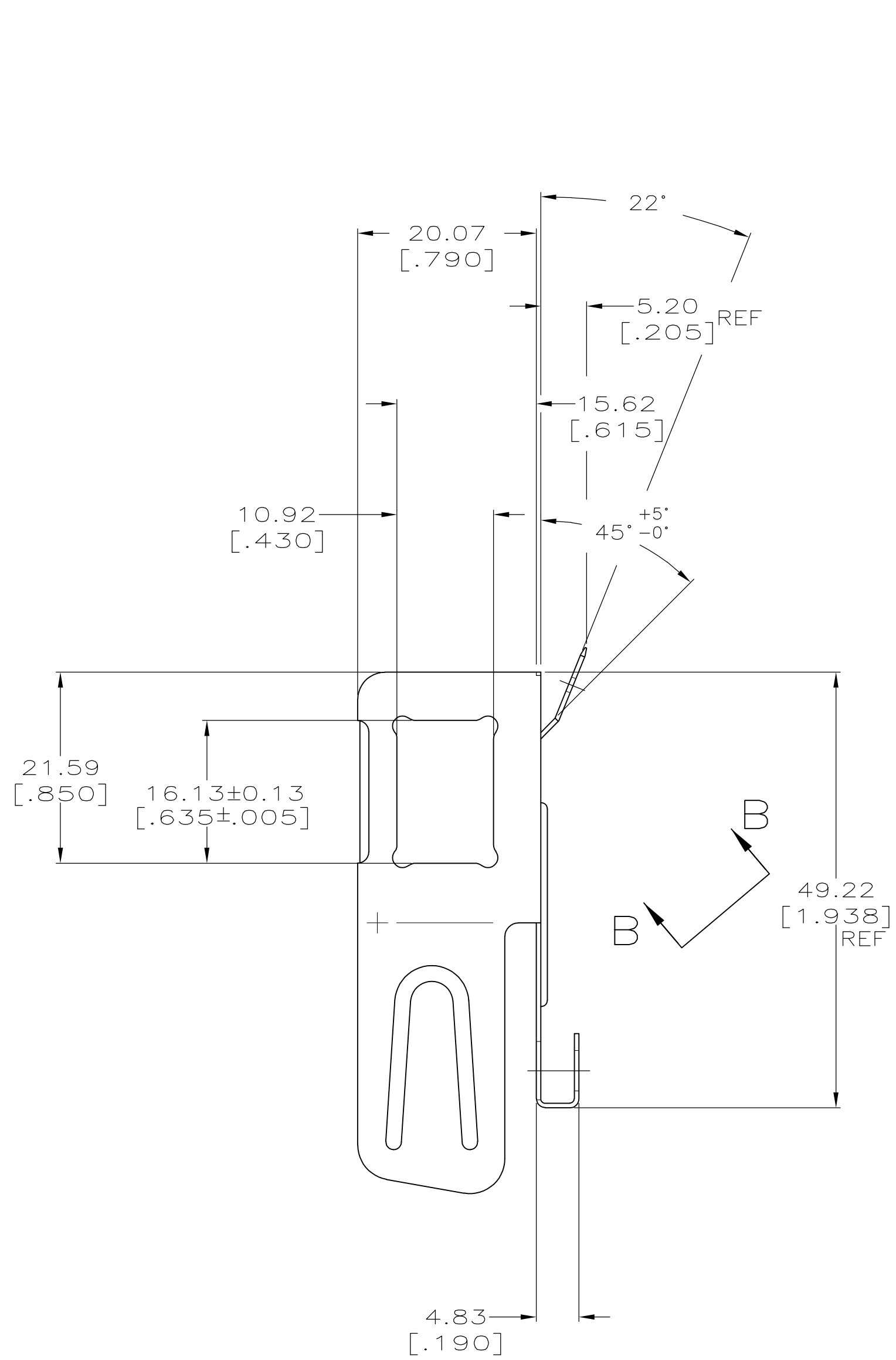
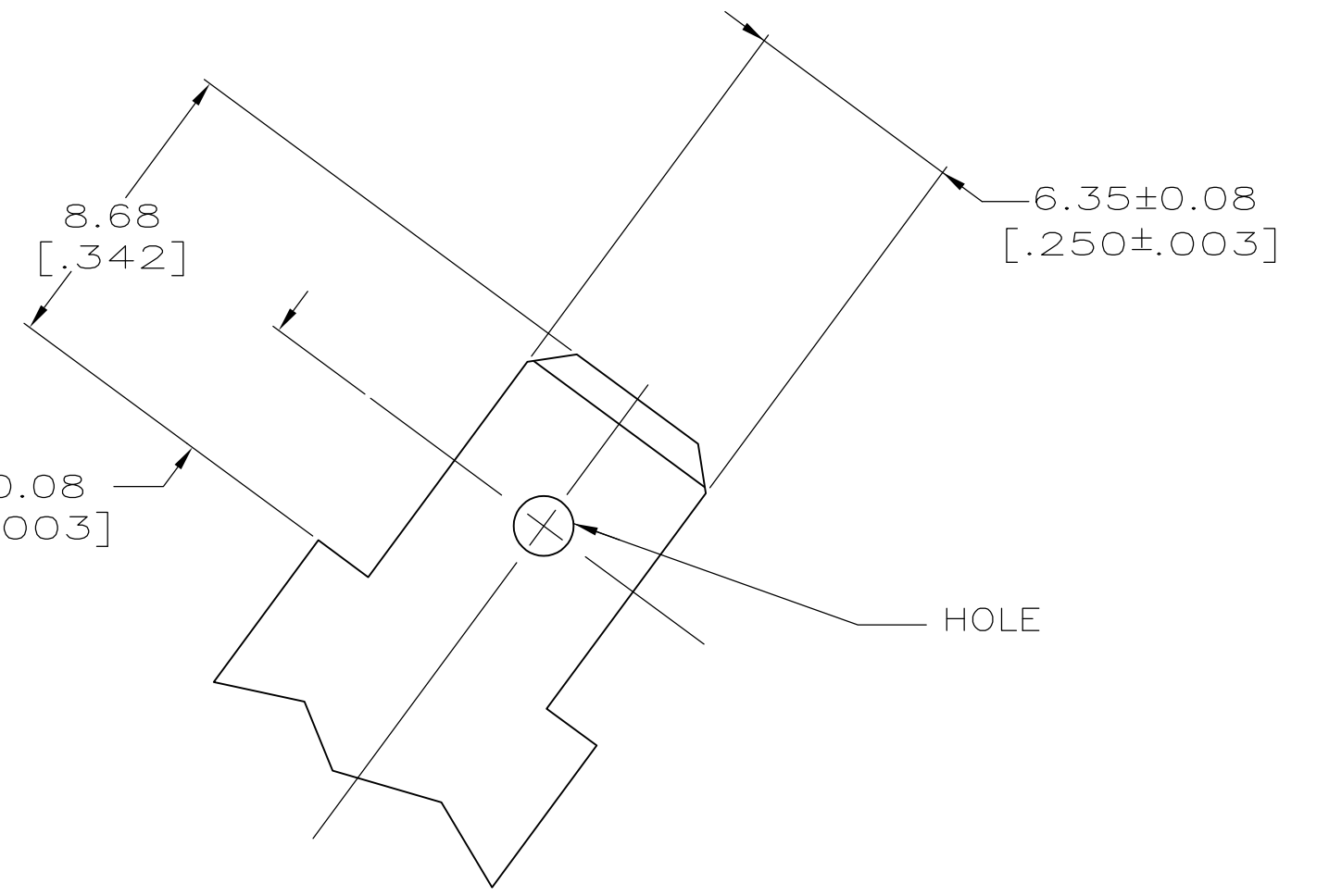


THIS DRAWING IS UNPUBLISHED. RELEASED FOR PUBLICATION
 © COPYRIGHT BY TYCO ELECTRONICS CORPORATION. ALL RIGHTS RESERVED.

LOC		DIST		REVISIONS			
P	LTR	DESCRIPTION	DATE	DWN	APVD		
	B2	REVISED PER ECR-08-012911	22MAY08	HMR	GJ		



- (1) DIMENSIONS TO BE CHECKED WHEN SIDES ARE PARALLEL WITH 30.61 [1.205] DIMENSION.
- (2) FOR 6.35 [.250] SERIES POSITIVE LOCK RECEPTACLE.
- (3) REDUCED PACKAGE QUANTITY.
- (4) PRELIMINARY - NOT FOR PRODUCTION.



VIEW B-B (2)
 SCALE 5:1

(3)	(4)	1217108-2
		1217108-1
PART NUMBER		

THIS DRAWING IS A CONTROLLED DOCUMENT.		DWN 17SEP98 PHILLIP M. FORTNEY	Tyco Electronics Corporation Harrisburg, PA 17105-3608	
DIMENSIONS: mm [INCHES]		CHK 17SEP98 JEFF R. RUTH	NAME	
TOLERANCES UNLESS OTHERWISE SPECIFIED:		APVD 17SEP98 JEREMY DUNCAN	PRODUCT SPEC	
0 PLC ± -		APPLICATION SPEC		
1 PLC ± -		114-1028		
2 PLC ± 0.25 [.010]		WEIGHT -		
3 PLC ± -		SIZE A2 CAGE CODE 00779		
4 PLC ± -		DRAWING NO. C=1217108		
ANGLES ± -		RESTRICTED TO		
FINISH -		SCALE 2:1 SHEET 1 of 1 REV B2		
MATERIAL 1/4 HD SST		CUSTOMER DRAWING		